

Back

- o Flat Cable Connectors SEK
- o *har-mik*@
- o D-Sub
- o InduCom

➔ Applications



Product details

09 31 006 2601

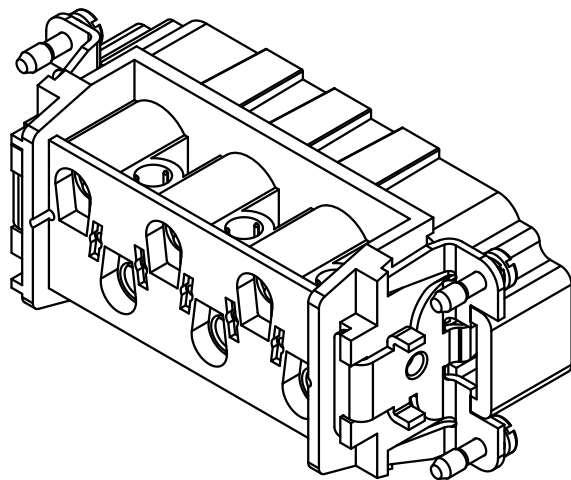
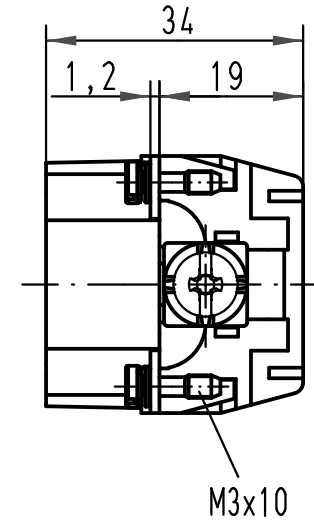
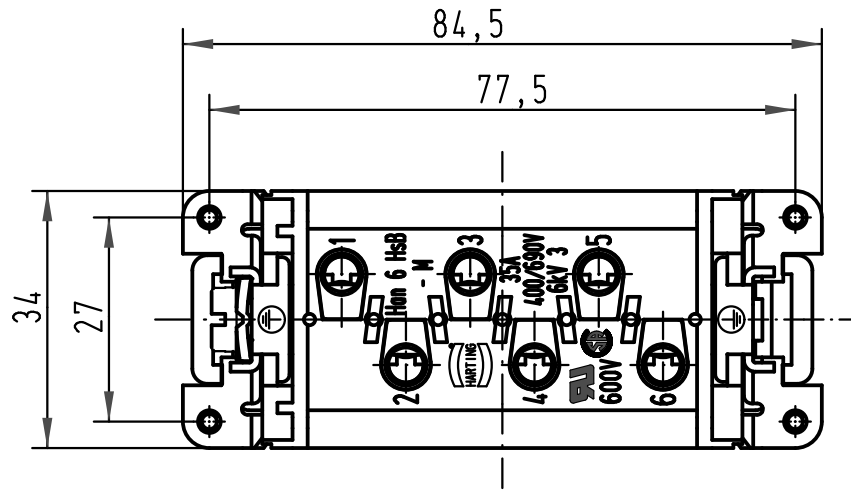
Male insert, Han 6 HsB

Series	Han® HsB
Number of contacts	6 poles + PE
Size of hood/ housing	Han® 16 B
Termination	Screw termination
Insert material	Standard material
Contacts	Inclusive
Electrical data	35 A 400/690 V 6 kV 3
RoHS compliant	Yes

Available Downloads

Title	Format	
Data sheet	PDF	↕ download
CAD data 2D	DXF	↕ download
CAD data 3D	IGES	↕ download
CAD data 3D	STEP	↕ download

Inquiry



All Dimensions in mm Original Size DIN A 4		Techn. Character.			Nicht tolerierte Maße/Free size tolerances	
			Dat.	Name	Maßstab/Scale 1:1	Han 6 HsB (1-6) Stiftträger / male insert
		Detail.	29.01.01	Gü		
		Insp.		Rü		
		Stand.				
413214	14.09.07	Rull	HARTING Electric GmbH & Co. KG			TB 09 31 006 2601 Sub. TB 09 31 006 26.1 vom 25.02.93
29192			D-32339 Espelkamp			
Mod.	Dat.	Name				Blatt/page